



深圳市特希爾防偽包裝有限公司  
TamperSeals Packing (Shenzhen) Co., Ltd.

## Products Model: MSS-001

**Twist Seals**

**Meter Seals**

**Rotor Seals**

### Products Features:

- Transparent or White PC body;
- ABS twister with customized colours;
- One directional locking mechanism with sealing wire;
- With SGS UV, SUS Solt Fog Certificates;
- Two parts with S.N. marking, will enhance the security level;

### Product Specifications:

- Materials: PC housing, ABS twister, PVC coater sealed wires;
- Size: Clear Flag 24mm\*10mm; Hole Dia. 2mm;
- Printing type: Laser Graving;

### Customizations:

- Color: Red, Blue, Yellow, White, Green, Orange or customization;
- Printing: Company Name, LOGO, S.N. or Barcode;
- PVC coater sealed wires length can be customize

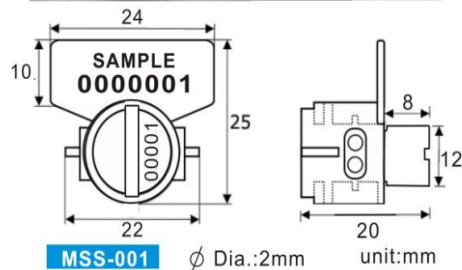
### Applications:

- Utility meters
- Transport meters
- Gas & fuel meters;
- Fiber Drums;

### Package (upon 25cm sealed wires):

- Box Dim.: 50cm\*35cm\*32cm;
- G.W. 14.5KG;
- Quantity: 5000pcs;

Note: the wires can be packed assembled  
on seals or one bundle;



## TSG Headquarter

TamperSeals Packing (Shenzhen) Co., Limited  
Add.: B Bldg, No. 19 Genyu Rd, Yulv Ind. Area,  
Gongming Town, Guangming New Dist., Shenzhen  
Tel: 0086 755 814 777 50  
Fax: 0086 755 814 777 90  
E-mail: sales@tamper-seals.com



深圳市特希爾防偽包裝有限公司  
TamperSeals Packing (Shenzhen) Co., Ltd.

## Products Model: MSS-002

**Twist Seals**

**Meter Seals**

**Rotor Seals**

### Products Features:

- Transparent PC body;
- ABS twister with customized colours;
- One directional locking mechanism with sealing wire;
- 5pcs together, easy to use upon S.N. order;

### Product Specifications:

- Materials: PC housing, ABS twister, PVC coater sealed wires;
- Size: Clear Flag 22mm\*9mm; Hole Dia. 1.6mm;
- Printing type: Laser Graving;

### Customizations:

- Color: Red, Blue, Yellow, White, Green, Orange or customization;
- Printing: Company Name, LOGO, S.N. or Barcode;
- PVC coater sealed wires length can be customized;

### Applications:

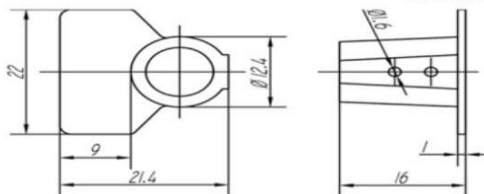
- Utility meters
- Transport meters
- Gas & fuel meters;
- Fiber Drums;



unit:mm

### Package (upon 25cm sealed wires):

- Box Dim.: 47cm\*26cm\*39cm;
- G.W. 12.5KG;
- Quantity: 4000pcs;



## TSG Headquarter

TamperSeals Packing (Shenzhen) Co., Limited  
Add.: B Bldg, No. 19 Genyu Rd, Yulv Ind. Area,  
Gongming Town, Guangming New Dist., Shenzhen  
Tel: 0086 755 814 777 50  
Fax: 0086 755 814 777 90  
E-mail: sales@tamper-seals.com



深圳市特希爾防偽包裝有限公司  
TamperSeals Packing (Shenzhen) Co., Ltd.

## Products Model: MSS-003

Utility meters Seals

Meter Seals

Arron Lock Seals

### Products Features:

- Transparent or customzied color housing;
- stainless steel insert part;
- Pushing lock and not able to open without destory the housing;
- Name, LOGO& Continued Serial Number;

### Product Specifications:

- Materials: ABS housing, stainless steel insert part, iron or copper sealed wires;
- Size: Clear Flag 26.7 mm\*12.4 mm\* 9.3 mm;
- Printing type: Laser Graving;

### Customizations:

- Color: Red, Blue, Yellow, White, Green, Orange or customization;
- Printing: Company Name, LOGO, S.N. or Barcode;
- sealed wires length can be customized;

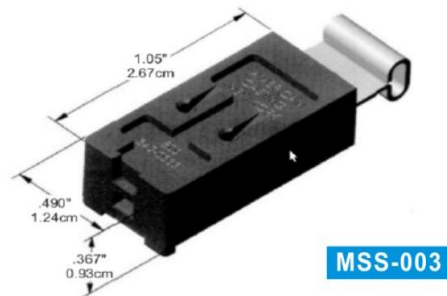
### Applications:

- Utility meters
- Transport meters
- Gas & fuel meters;
- Fiber Drums;



### Package (upon 25cm sealed wires):

- Box Dim.: 39cm\*39cm\*30cm;
- G.W. 14.5KG;
- Quantity: 5000pcs;



## TSG Headquarter

TamperSeals Packing (Shenzhen) Co., Limited  
Add.: B Bldg, No. 19 Genyu Rd, Yulv Ind. Area,  
Gongming Town, Guangming New Dist., Shenzhen  
Tel: 0086 755 814 777 50  
Fax: 0086 755 814 777 90  
E-mail: sales@tamper-seals.com



深圳市特希爾防偽包裝有限公司  
TamperSeals Packing (Shenzhen) Co., Ltd.

## Products Model: MSS-004

Utility meters Seals

Meter Seals

Arron Lock Seals

### Products Features:

- Transparent housing;
- customized color insert part;
- Contrasting locking mechanism and clear body show immediate evidence of tampering;
- Name, LOGO& Continued Serial Number;

### Product Specifications:

- Materials: PC transparent housing, ABS insert part, iron or copper sealed wires;
- Size: 17.2 mm\*15.8 mm;
- Printing type: Laser Graving;

### Customizations:

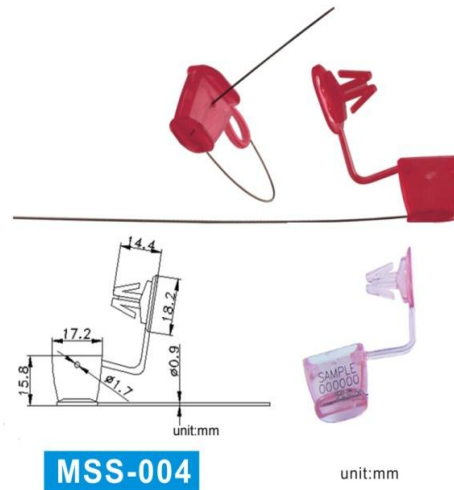
- Color: Red, Blue, Yellow, White, Green, Orange or customization;
- Printing: Company Name, LOGO, S.N. or Barcode;
- sealed wires length can be customized;

### Applications:

- Utility meters
- Transport meters
- Gas & fuel meters;
- Fiber Drums;

### Package (upon 25cm sealed wires):

- Box Dim.: 42cm\*33cm\*20cm;
- G.W. 5.4KG;
- Quantity: 2000pcs;



## TSG Headquarter

TamperSeals Packing (Shenzhen) Co., Limited  
Add.: B Bldg, No. 19 Genyu Rd, Yulv Ind. Area,  
Gongming Town, Guangming New Dist., Shenzhen  
Tel: 0086 755 814 777 50  
Fax: 0086 755 814 777 90  
E-mail: sales@tamper-seals.com



深圳市特希爾防偽包裝有限公司  
TamperSeals Packing (Shenzhen) Co., Ltd.

## Products Model: MSS-005

**Lead Seals**

**Meter Seals**

**Bean Seals**

### Products Features:

- Used by Pliers;
- Cut the wires to open, will offer evidence of tampering;
- Name, LOGO& Continued Serial Number;

### Product Specifications:

- Materials: aluminium cover, Lead lock body, iron or copper sealed wires;
- Size: 15.5 mm diameter;
- Printing type: Laser Graving;

### Customizations:

- Color: Red, Blue, Green, Orange or customization;
- Printing: Company Name, LOGO, S.N. or Barcode;
- sealed wires length can be customized;

### Applications:

- Utility meters
- Transport meters
- Gas & fuel meters;
- Fiber Drums;

### Package:

- Box Dim.: 27cm\*20cm\*17cm;
- G.W. 13KG;
- Quantity: 5000pcs;



## TSG Headquarter

TamperSeals Packing (Shenzhen) Co., Limited  
Add.: B Bldg, No. 19 Genyu Rd, Yulv Ind. Area,  
Gongming Town, Guangming New Dist., Shenzhen  
Tel: 0086 755 814 777 50  
Fax: 0086 755 814 777 90  
E-mail: sales@tamper-seals.com



深圳市特希爾防偽包裝有限公司  
TamperSeals Packing (Shenzhen) Co., Ltd.

## Products Model: MSS-006

**Utility meters Seals**

**Meter Seals**

**Arron Lock Seals**

### Products Features:

- Transparent housing;
- customized color insert part;
- Contrasting locking mechanism and clear body show immediate evidence of tampering.;
- Name, LOGO& Continued Serial Number;

### Product Specifications:

- Materials: PC transparent housing, ABS insert part, iron or copper sealed wires;
- Size: 24.8 mm\* 21 mm;
- Printing type: Laser Graving;

### Customizations:

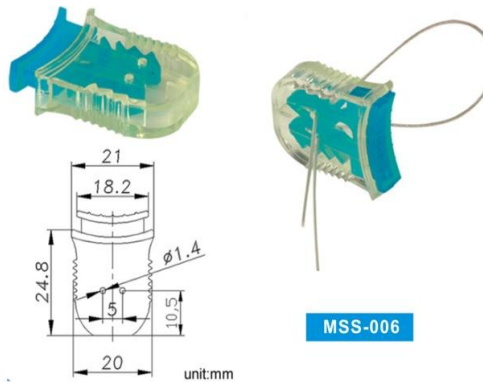
- Color: Red, Blue, Yellow, White, Green, Orange or customization;
- Printing: Company Name, LOGO, S.N. or Barcode;
- sealed wires length can be customized;

### Applications:

- Utility meters
- Transport meters
- Gas & fuel meters;
- Fiber Drums;

### Package:

- Box Dim.: 42cm\*33cm\*20cm;
- G.W. KG;
- Quantity: pcs;



## TSG Headquarter

TamperSeals Packing (Shenzhen) Co., Limited  
Add.: B Bldg, No. 19 Genyu Rd, Yulv Ind. Area,  
Gongming Town, Guangming New Dist., Shenzhen  
Tel: 0086 755 814 777 50  
Fax: 0086 755 814 777 90  
E-mail: sales@tamper-seals.com



深圳市特希爾防偽包裝有限公司  
TamperSeals Packing (Shenzhen) Co., Ltd.

## Products Model: MSS-007

Utility meters Seals

Meter Seals

Arron Lock Seals

### Products Features:

- Transparent housing;
- customized color insert part;
- Contrasting locking mechanism and clear body show immediate evidence of tampering.;
- Name, LOGO& Continued Serial Number;

### Product Specifications:

- Materials: PC transparent housing, ABS insert part, iron or copper sealed wires;
- Size: 20 mm\* 15 mm, 18mm\* 16.3 mm;
- Printing type: Laser Graving;

### Customizations:

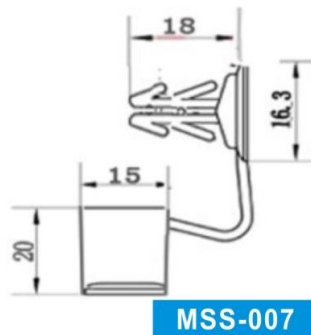
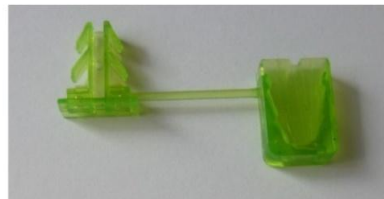
- Color: Red, Blue, Yellow, White, Green, Orange or customization;
- Printing: Company Name, LOGO, S.N. or Barcode;
- sealed wires length can be customized;

### Applications:

- Utility meters
- Transport meters
- Gas & fuel meters;
- Fiber Drums;

### Package:

- Box Dim.: 54cm\*35cm\*25cm;
- G.W. 8.5 KG;
- Quantity: 5000pcs;



## TSG Headquarter

TamperSeals Packing (Shenzhen) Co., Limited  
Add.: B Bldg, No. 19 Genyu Rd, Yulv Ind. Area,  
Gongming Town, Guangming New Dist., Shenzhen  
Tel: 0086 755 814 777 50  
Fax: 0086 755 814 777 90  
E-mail: sales@tamper-seals.com



深圳市特希爾防偽包裝有限公司  
TamperSeals Packing (Shenzhen) Co., Ltd.

## Products Model: MSS-001

**Twist Seals**

**Meter Seals**

**Rotor Seals**

### Products Features:

- Transparent or White PC body;
- ABS twister with customized colours;
- One directional locking mechanism with sealing wire;
- With SGS UV, SUS Solt Fog Certificates;
- Two parts with S.N. marking, will enhance the security level;

### Product Specifications:

- Materials: PC housing, ABS twister, PVC coater sealed wires;
- Size: Clear Flag 19mm\*8mm; Hole Dia. 1.5mm;
- Printing type: Laser Graving;

### Customizations:

- Color: Red, Blue, Yellow, White, Green, Orange or customization;
- Printing: Company Name, LOGO, S.N. or Barcode;
- PVC coater sealed wires length can be customized

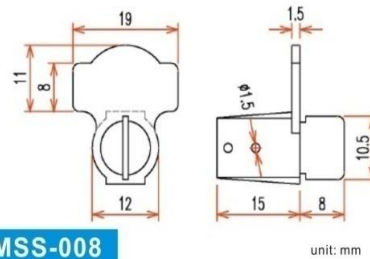
### Applications:

- Utility meters
- Transport meters
- Gas & fuel meters;
- Fiber Drums;

### Package (upon 25cm sealed wires):

- Box Dim.: 50cm\*35cm\*32cm;
- G.W. 14.0KG;
- Quantity: 5000pcs;

Note: the wires can be packed assembled  
on seals or one bundle;



## TSG Headquarter

TamperSeals Packing (Shenzhen) Co., Limited  
Add.: B Bldg, No. 19 Genyu Rd, Yulv Ind. Area,  
Gongming Town, Guangming New Dist., Shenzhen  
Tel: 0086 755 814 777 50  
Fax: 0086 755 814 777 90  
E-mail: sales@tamper-seals.com